

Uniclass	
L441:P421	
CI/SfB	
(90.3)	Xh1

# HERITAGE CAST IRON

## Railings & Gates

USING THE ORIGINAL  
DESIGNS & FOUNDRY METHODS



# HERITAGE CAST IRON™

After years of careful research and development, we have developed a unique collection of 19th century inspired cast iron railings and gates. Using traditional foundry techniques, the patterns faithfully replicate those found in the original Sun Foundry catalogue of 1897.

Created from totally authentic designs and materials, the Heritage Cast Iron Collection is perfect for both restoration and regeneration projects and provides an enduring, traditional alternative to the multitude of lightweight railings and gates currently offered in the marketplace.

Crafted in solid cast iron using time-honoured techniques, the range represents the finest quality available today.

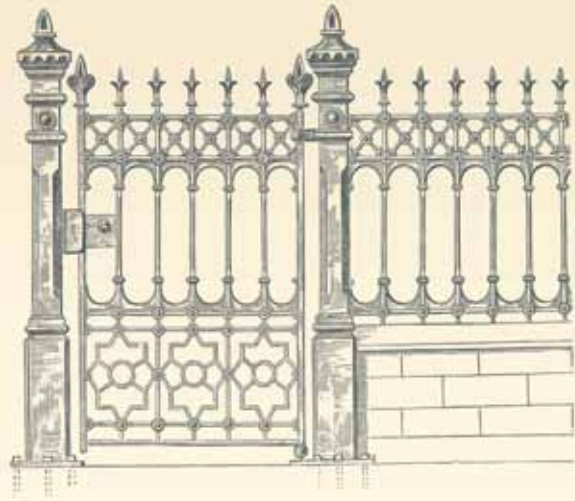
The Heritage Cast Iron Collection has also been developed with modern requirements in mind, allowing the use of integrated automation and intercom systems.

All railings, gates and posts are supplied primed and undercoated, ready for application of the final coat after installation. CAD drawings are available on request.

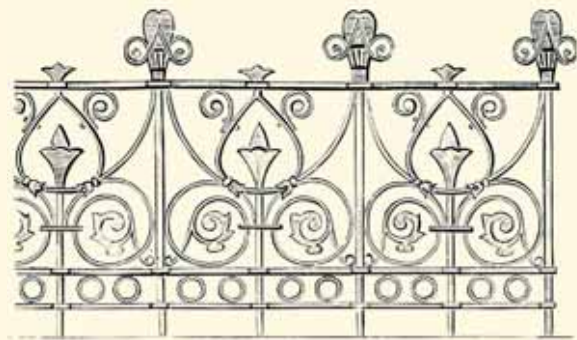
## The Collections

<b>Richmond</b> .....	<b>Page 3</b>
<b>Stewart</b> .....	<b>Page 4</b>
<b>Stirling</b> .....	<b>Page 6</b>
<b>Gilberton</b> .....	<b>Page 8</b>
<b>Prospect</b> .....	<b>Page 10</b>
<b>Terrace</b> .....	<b>Page 12</b>

CAD DRAWINGS AVAILABLE ON REQUEST



Original pattern 226a (Stewart design) 1897

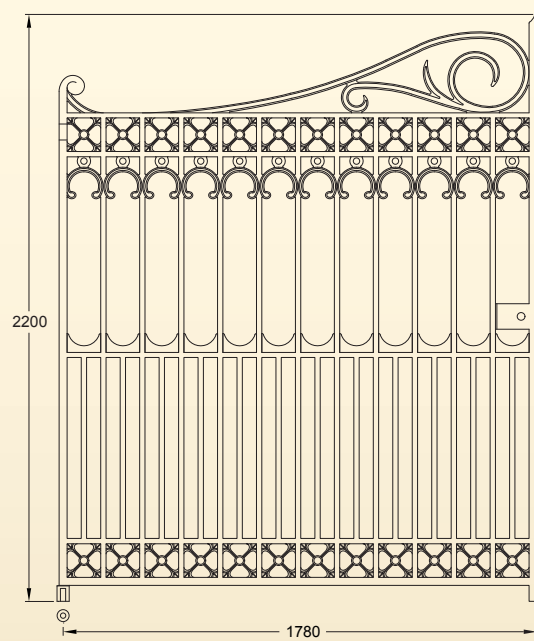


Original pattern 236 (Prospect design) 1897

## Origins

Colin Stewart and Allan Cameron Harley, were the proprietors of The Sun Foundry, Adelaide. Originally from Glasgow, the two set up The Sun Foundry to supply the evergrowing market for their craft in 19th century, Australia. Their designs represent a 'gracious era' where people took time to produce high quality and long lasting decorative items.





See page 14 for  
posts & fixings

**GA185**  
Richmond driveway gates (12ft pair, 530kg per pair)

Stewart  
Collection  
Collection



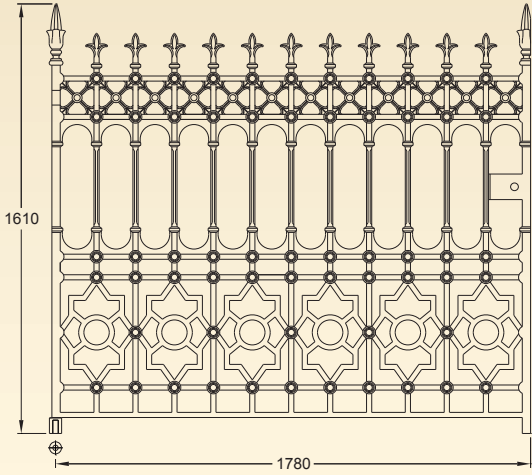
Stewart driveway gates (12ft) with Pillar posts and pedestrian gate



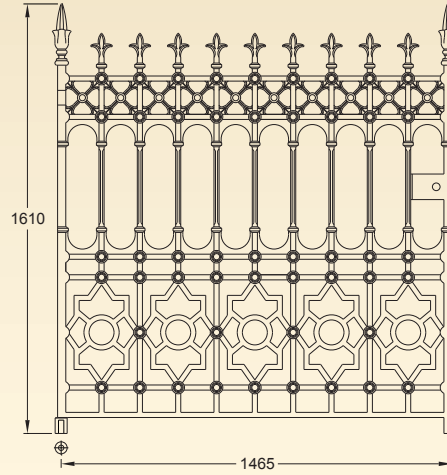
Stewart half height railing panels with posts



Stewart full height railing panels with posts

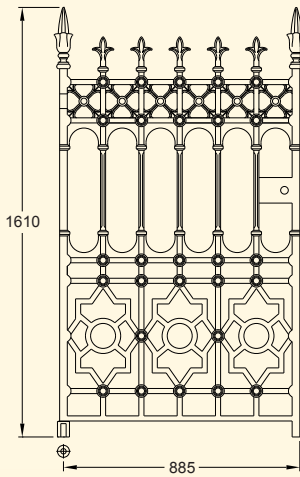


**GA006**  
Stewart driveway gates (12ft pair, 450kg per pair)

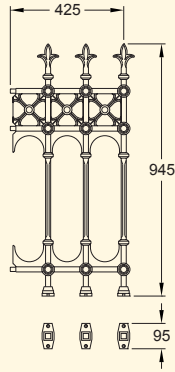


**GA005**  
Stewart driveway gates (10ft pair, 370kg per pair)

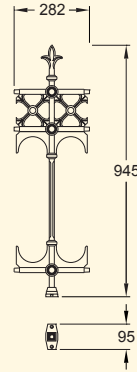
See page 14 for posts & fixings



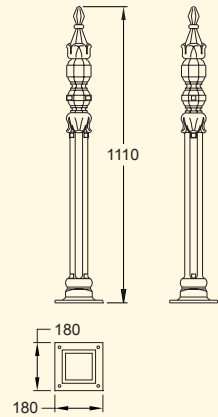
**GA007**  
Stewart pedestrian gate (3ft single gate, 117kg)



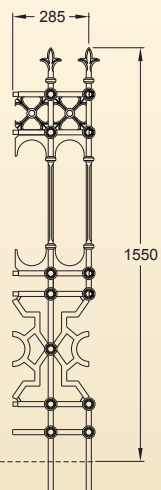
**GA008A**  
Stewart half height railing panel with feet (20.5kg)



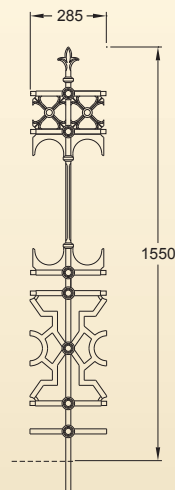
**GA017A**  
Stewart half height joiner panel with feet (10kg)



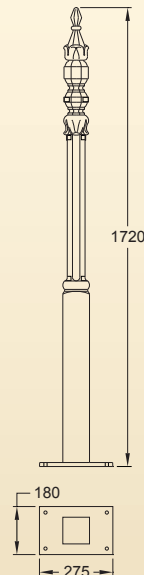
**GA003**  
Stewart half height railing post (23kg)



**GA009**  
Stewart full height railing panel with root fixing (24kg)



**GA018**  
Stewart full height railing joiner panel with root fixing (18kg)



**GA002**  
Stewart full height railing post (38.5kg)



Stirling driveway gates (12ft) with Stirling pillar posts

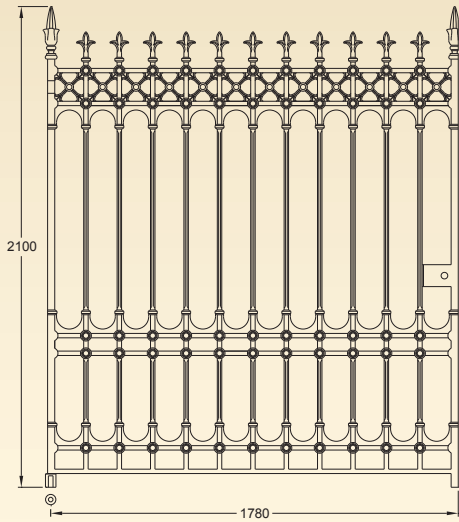


Stirling half height railing panels and posts with 4ft pedestrian gates



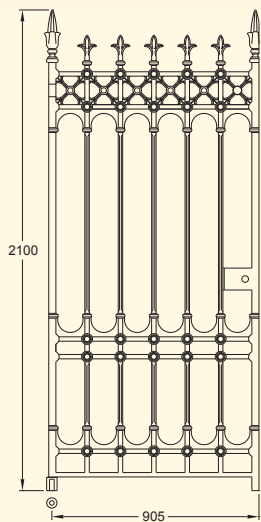
Stirling half height railing panels

# Stirling

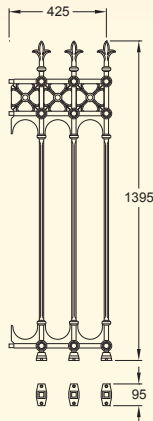


See page 14 for posts & fixings

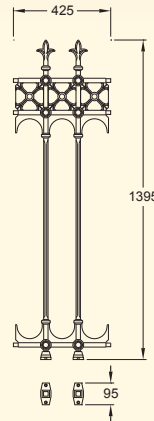
**GA025**  
Stirling driveway gates (12ft pair, 510kg per pair)



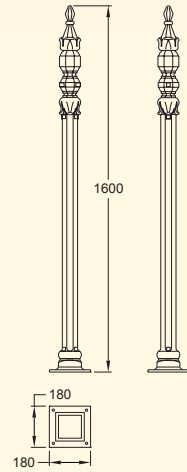
**GA028**  
Stirling pedestrian gate (3ft single gate, 142kg)



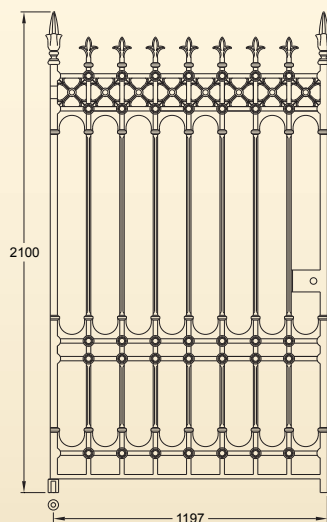
**GA118A**  
Stirling half height railing panel with feet (33kg)



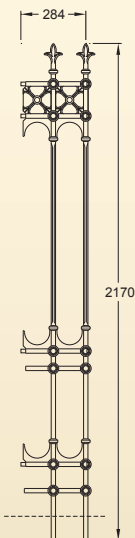
**GA120A**  
Stirling half height joiner panel with feet (27kg)



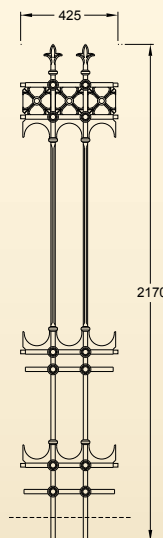
**GA122**  
Stirling half height railing post (40kg)



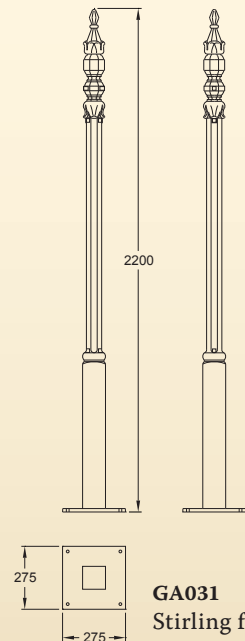
**GA114**  
Stirling pedestrian gate (4ft single gate, 178kg)



**GA030**  
Stirling full height railing panel with root fixing (34.5kg)



**GA027**  
Stirling full height railing joiner panel with root fixing (41kg)



**GA031**  
Stirling full height railing post (56kg)



Gilberton driveway gates (12ft) hanging from existing stone gate pillars



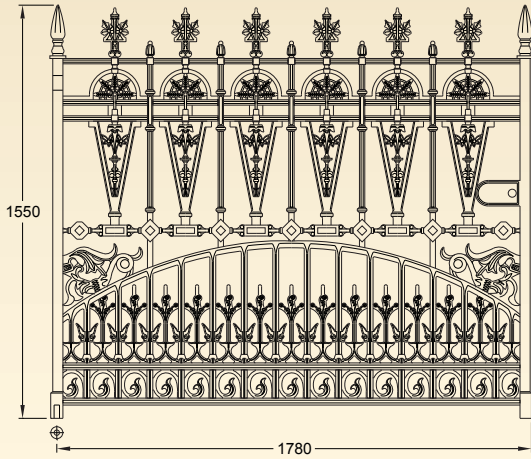
Gilberton driveway (12ft) and pedestrian gates with Pillar posts



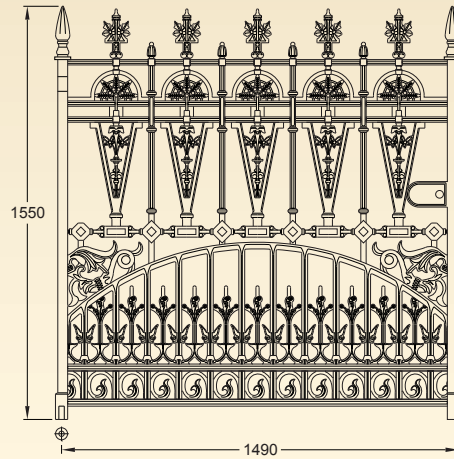
Gilberton railing panels with posts



# Gilberton

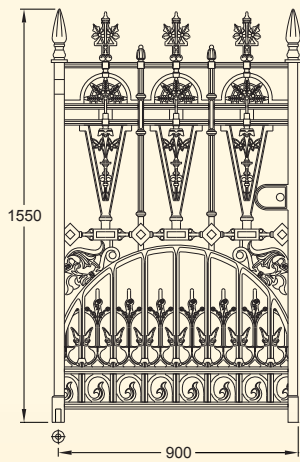


**GA012**  
Gilberton driveway gates (12ft pair, 464kg per pair)

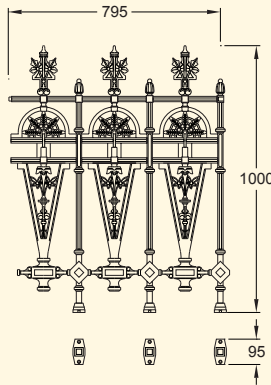


**GA011**  
Gilberton driveway gates (10ft pair, 420kg per pair)

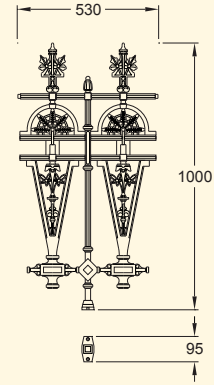
See page 14 for posts & fixings



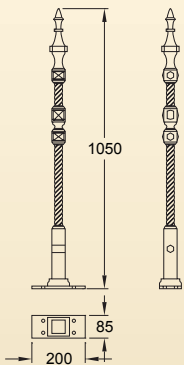
**GA010**  
Gilberton pedestrian gate  
(3ft single gate, 128kg)



**GA013A**  
Gilberton railing panel  
with feet (40kg)



**GA129A**  
Gilberton railing joiner  
panel with feet (26kg)



**GA130**  
Gilberton railing post (15kg)



Prospect railings with posts

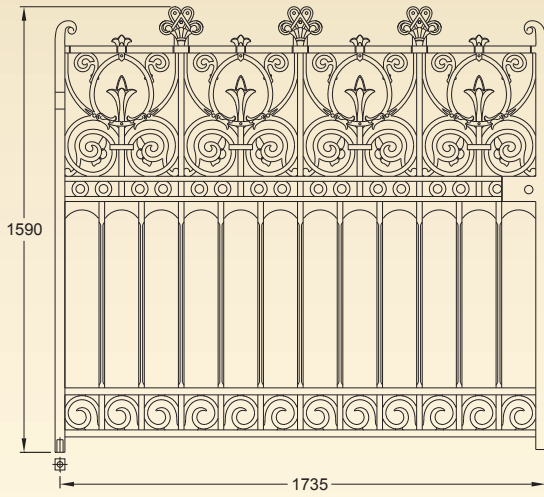


Prospect pedestrian gate with Gothic posts

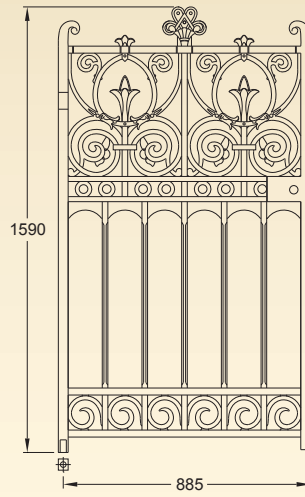


Prospect driveway gates (12ft) with Pillar posts

# Prospect

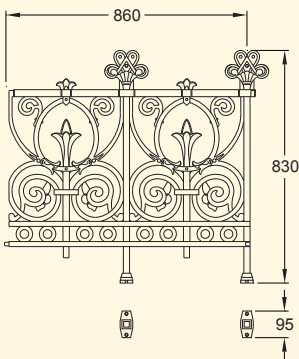


See page 14 for posts & fixings

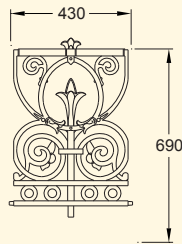


**GA032**  
Prospect driveway gates (12ft pair, 390kg per pair)

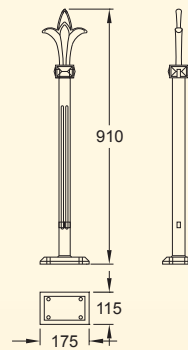
**GA034**  
Prospect pedestrian gate (3ft single gate, 102kg)



**GA133A**  
Prospect railing panel with feet (33kg)

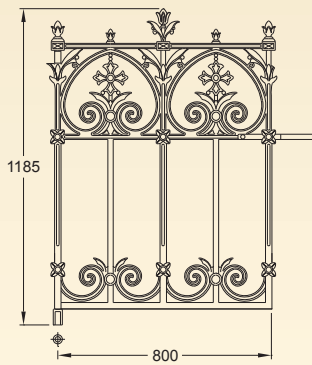


**GA134A**  
Prospect railing joiner panel (15.5kg)

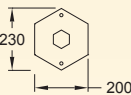
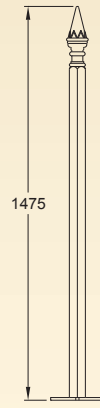


**GA136**  
Prospect railing post (15kg)

Terrace



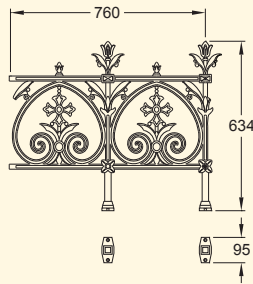
**GA137**  
Terrace pedestrian gate (45kg)



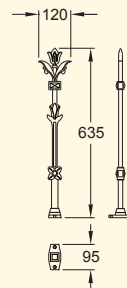
**GA177**  
Terrace pedestrian  
gate post (29kg)



Terrace pedestrian gate  
with Terrace pedestrian gate posts



**GA184**  
Terrace railing panel with feet (20kg)



**GA139**  
Terrace railing  
post (3kg)



Terrace pedestrian gate with existing  
stone pillars



Terrace railing panels

# Walling System

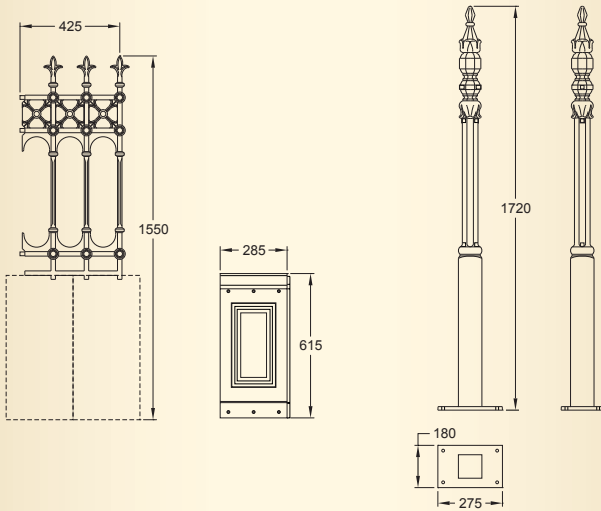
The cast walling system is constructed around a steel frame.



Stewart half height railing panel with cast walling system



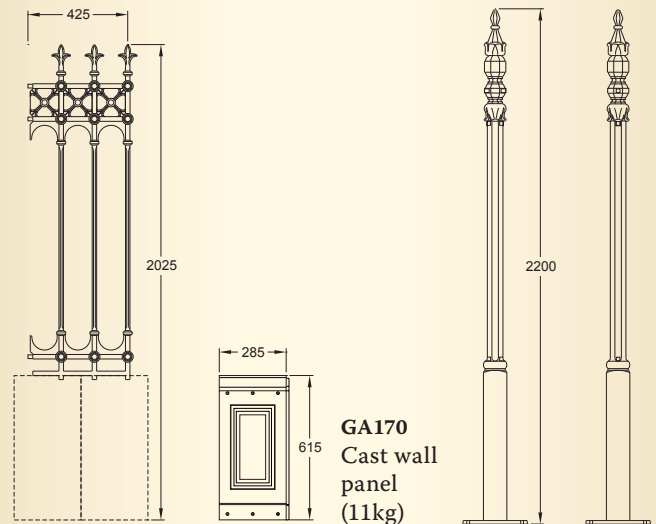
Stirling half height railing panels with cast walling system



**GA008B**  
Stewart half height railing panel with cast wall top fixing (19.5kg)

**GA170**  
Cast wall panel (11kg)

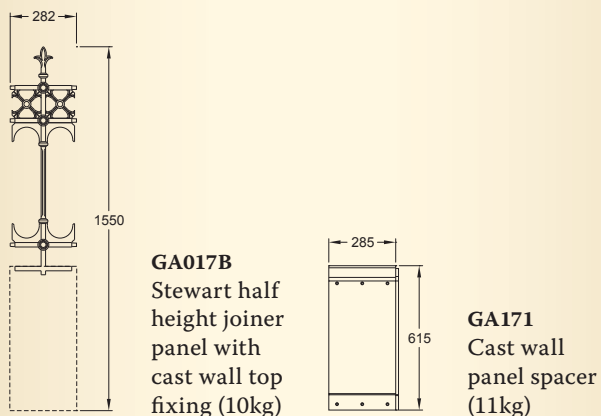
**GA002**  
Stewart full height railing post (38.5kg)



**GA118B**  
Stirling half height railing panel with cast wall top fixing (33kg)

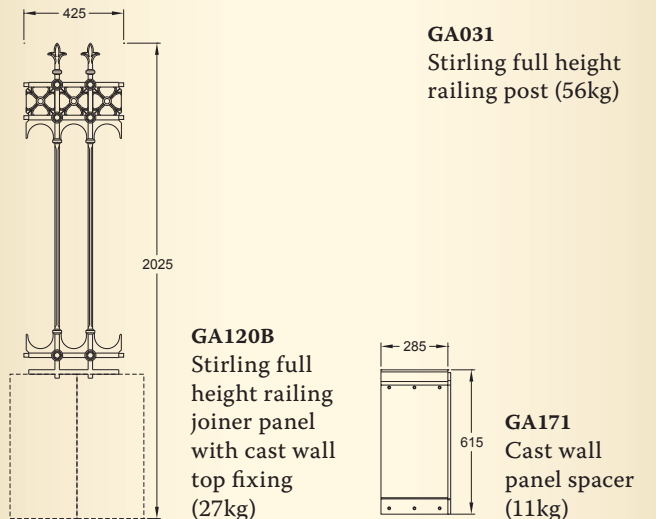
**GA170**  
Cast wall panel (11kg)

**GA031**  
Stirling full height railing post (56kg)



**GA017B**  
Stewart half height joiner panel with cast wall top fixing (10kg)

**GA171**  
Cast wall panel spacer (11kg)



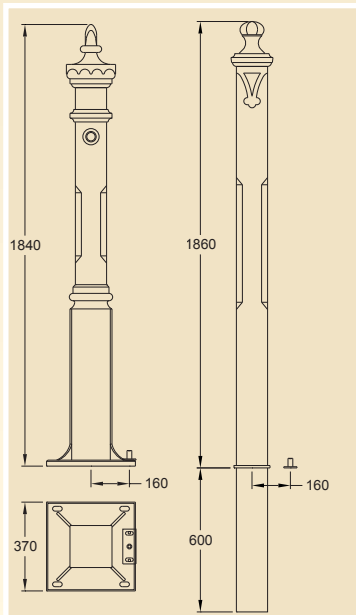
**GA120B**  
Stirling full height railing joiner panel with cast wall top fixing (27kg)

**GA171**  
Cast wall panel spacer (11kg)

# Posts & Fixings

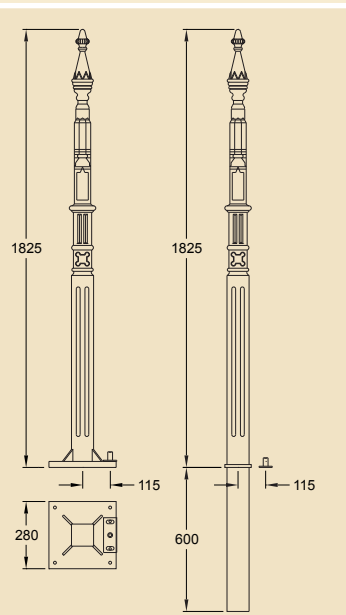
## Posts for all Collections (excluding Stirling & Richmond)

## Stirling & Richmond posts



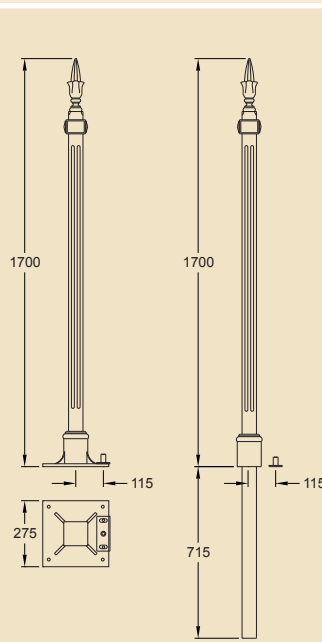
**GA001**  
Pillar driveway gate post with baseplate fixing (122kg)

**GA147**  
Pillar driveway gate post with root fixing (138kg)



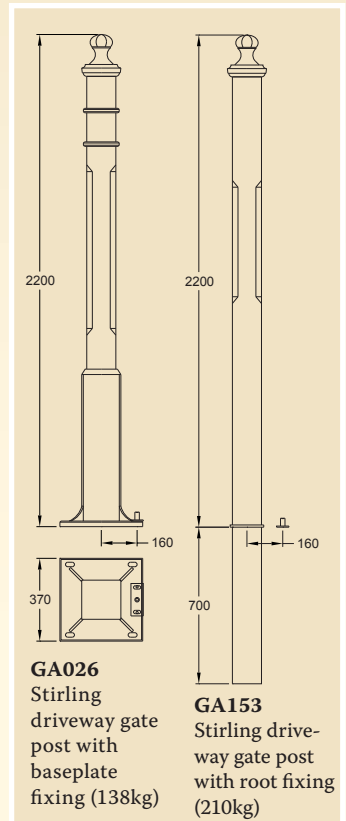
**GA035**  
Gothic driveway gate post with baseplate fixing (95kg)

**GA151**  
Gothic driveway gate post with root fixing (120kg)



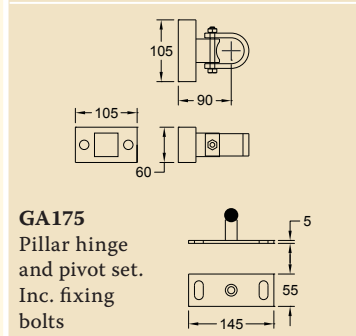
**GA149**  
School pedestrian gate post with baseplate fixing (54kg)

**GA004**  
School pedestrian gate post with root fixing (70kg)

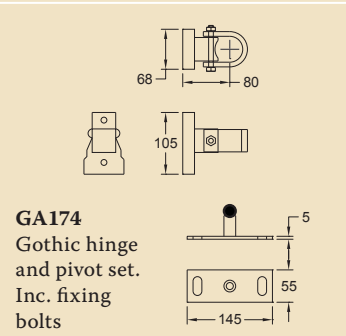


**GA026**  
Stirling driveway gate post with baseplate fixing (138kg)

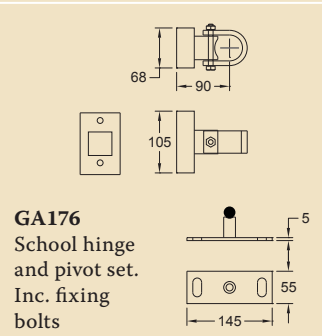
**GA153**  
Stirling driveway gate post with root fixing (210kg)



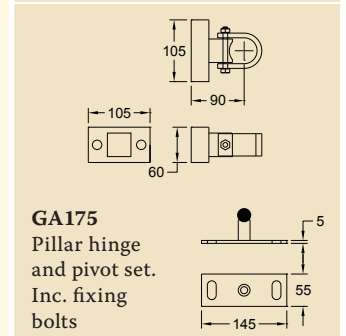
**GA175**  
Pillar hinge and pivot set. Inc. fixing bolts



**GA174**  
Gothic hinge and pivot set. Inc. fixing bolts



**GA176**  
School hinge and pivot set. Inc. fixing bolts

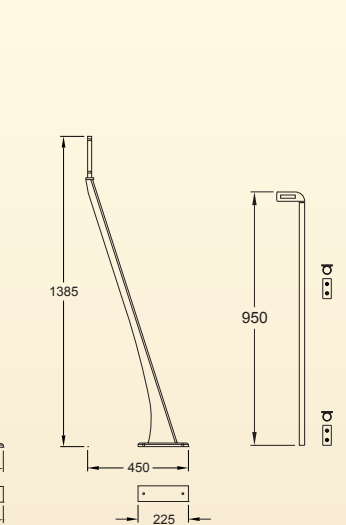


**GA175**  
Pillar hinge and pivot set. Inc. fixing bolts



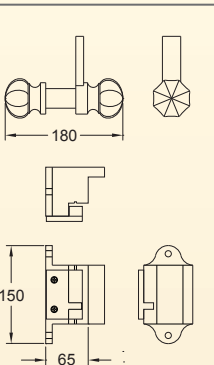
**GA109**  
Wrought railing stay. For use with all railing panels except Stirling full height

**GA121**  
Cast full height railing stay. For use with Stirling full height railing panels

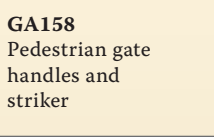


**GA169**  
Cast half height railing stay. For use with half height railing panels

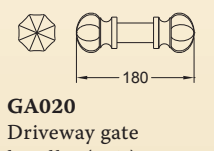
**GA165**  
Locking driveway gate drop bolt and guides



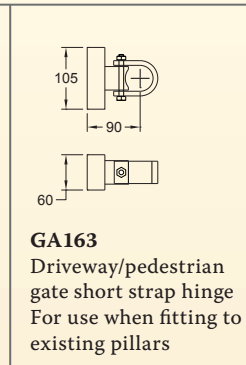
**GA163**  
Driveway/pedestrian gate short strap hinge. For use when fitting to existing pillars



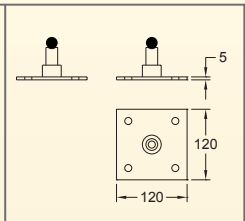
**GA158**  
Pedestrian gate handles and striker



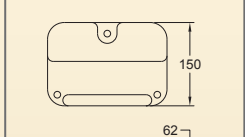
**GA020**  
Driveway gate handles (pair)



**GA162**  
Driveway/pedestrian gate long strap hinge. For use when fitting to existing pillars

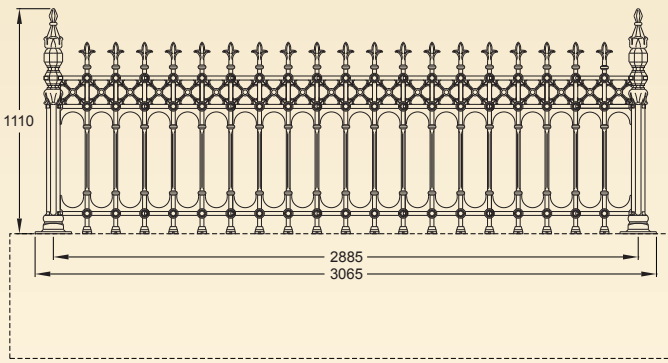


**GA155**  
Driveway/pedestrian gate pivot (4 bolt fixing). For ground fixing



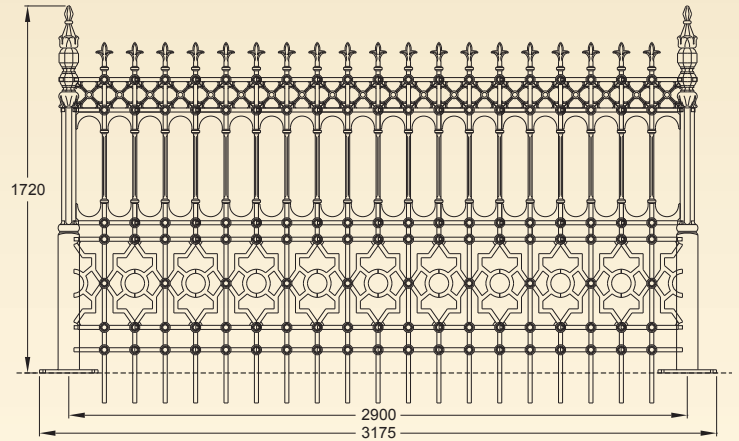
**GA156**  
Driveway gate stop

# Example Installations



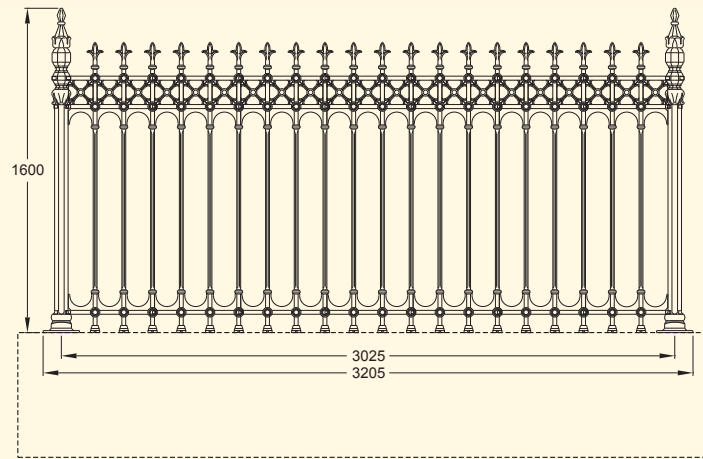
## STEWART HALF HEIGHT RAILINGS

2No. GA003 Stewart half height railing posts  
 6No. GA008A Stewart half height railing panel with feet  
 1No. GA017A Stewart half height railing joiner panel with feet  
 Single half height railing stay suggested or as necessary to suit installation



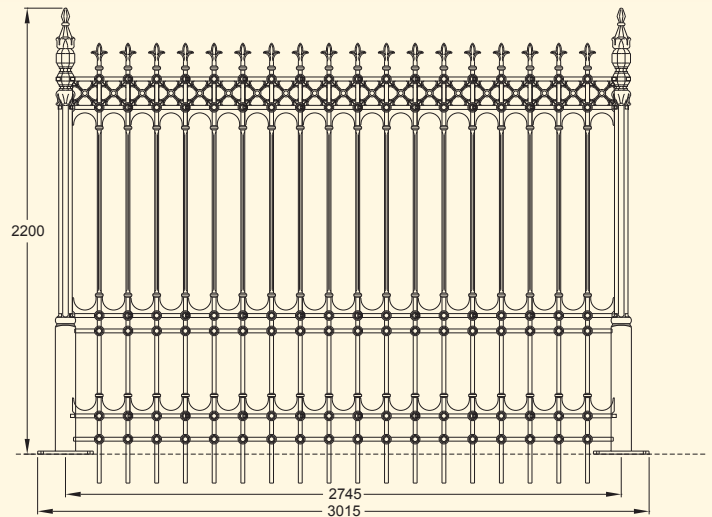
## STEWART FULL HEIGHT RAILINGS

2No. GA002 Stewart full height railing posts  
 9No. GA009 Stewart full height railing panel with root fixing  
 1No. GA018 Stewart full height railing joiner panel with root fixing  
 Single full height railing stay suggested or as necessary to suit installation



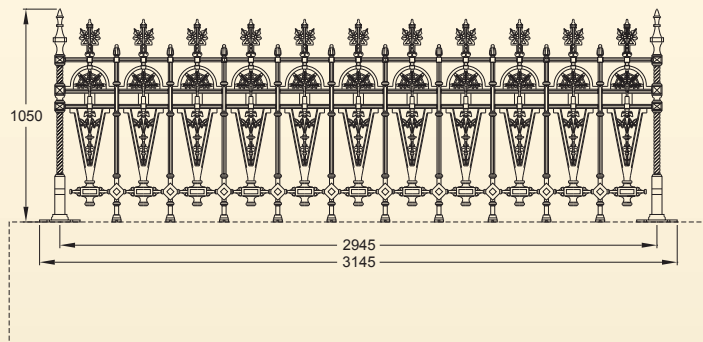
## STIRLING HALF HEIGHT RAILINGS

2No. GA122 Stirling half height railing posts  
 6No. GA118A Stirling half height railing panel with feet  
 1No. GA120A Stirling half height railing joiner panel with feet  
 Single half height railing stay suggested or as necessary to suit installation



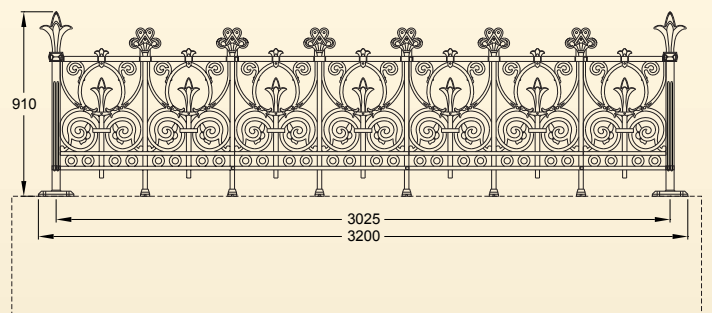
## STIRLING FULL HEIGHT RAILINGS

2No. GA031 Stirling full height railing posts  
 8No. GA030 Stirling full height railing panel with root fixing  
 1No. GA027 Stirling full height railing joiner panel with root fixing  
 Single full height railing stay suggested or as necessary to suit installation



## GILBERTON RAILINGS

2No. GA130 Gilberton railing posts  
 3No. GA013A Gilberton railing panel with feet  
 1No. GA129A Gilberton railing joiner panel with feet  
 Single half height railing stay suggested or as necessary to suit installation



## PROSPECT RAILINGS

2No. GA136 Prospect railing posts  
 3No. GA133A Prospect railing panel with feet  
 1No. GA134A Prospect railing joiner panel  
 Single half height railing stay suggested or as necessary to suit installation

